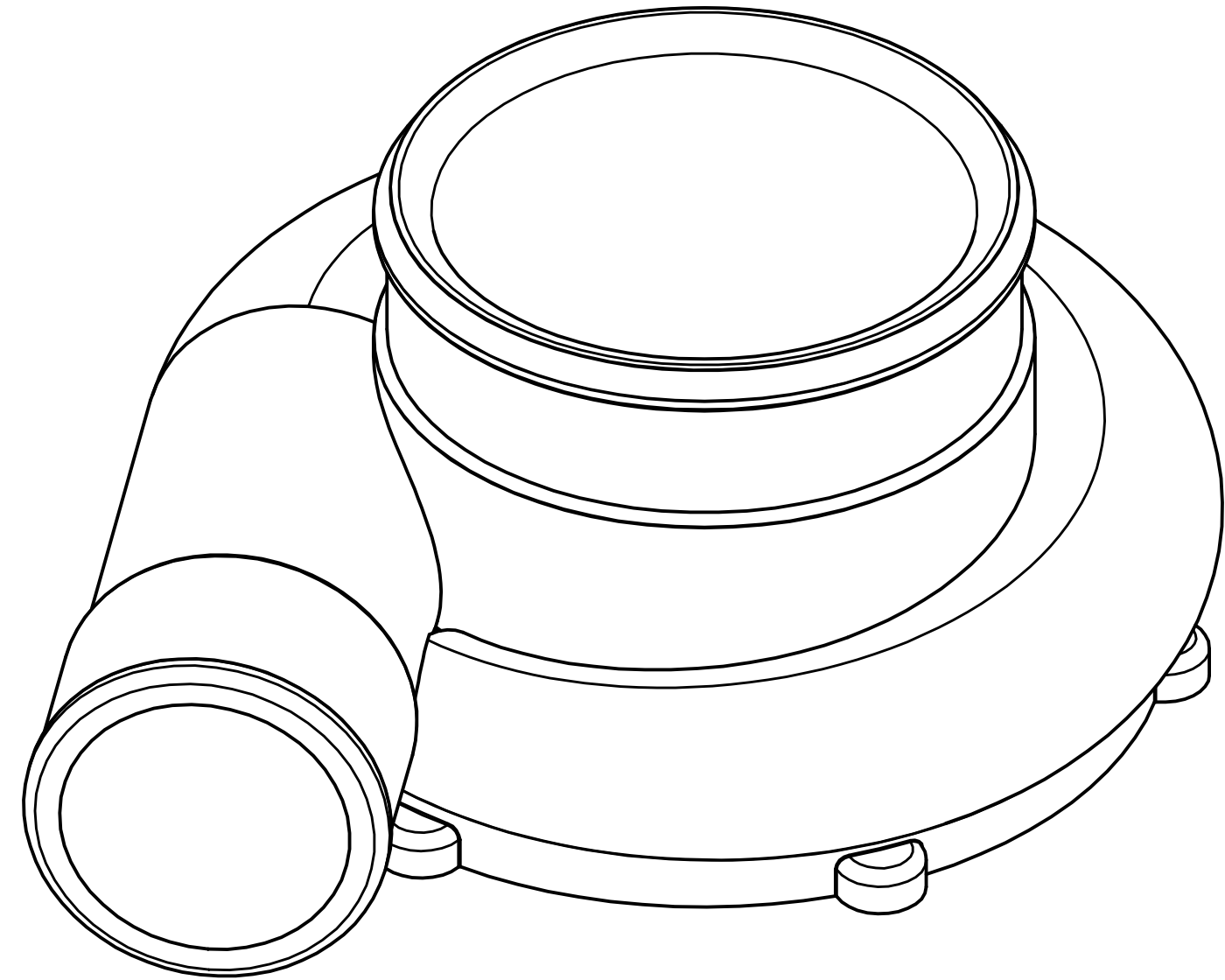
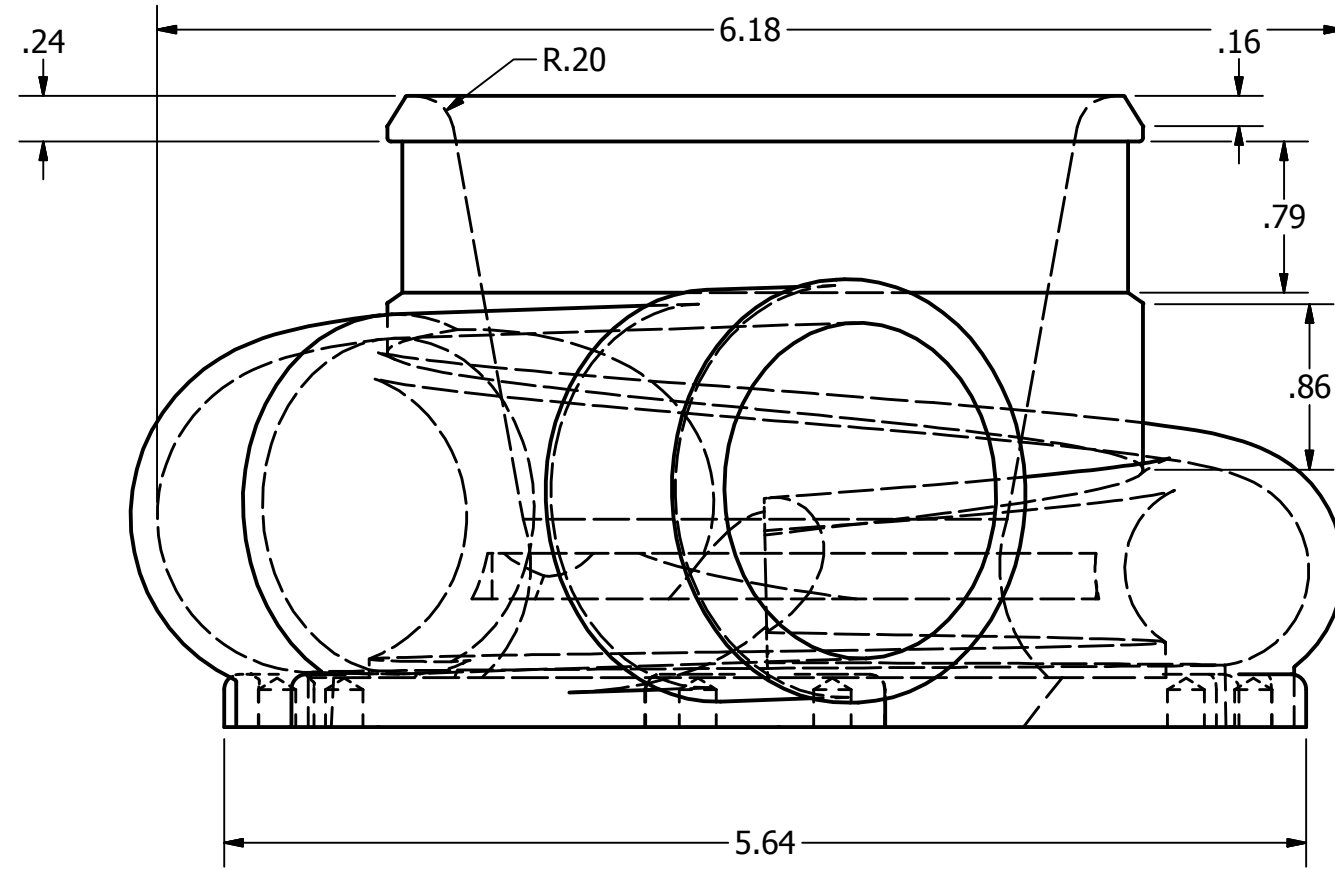


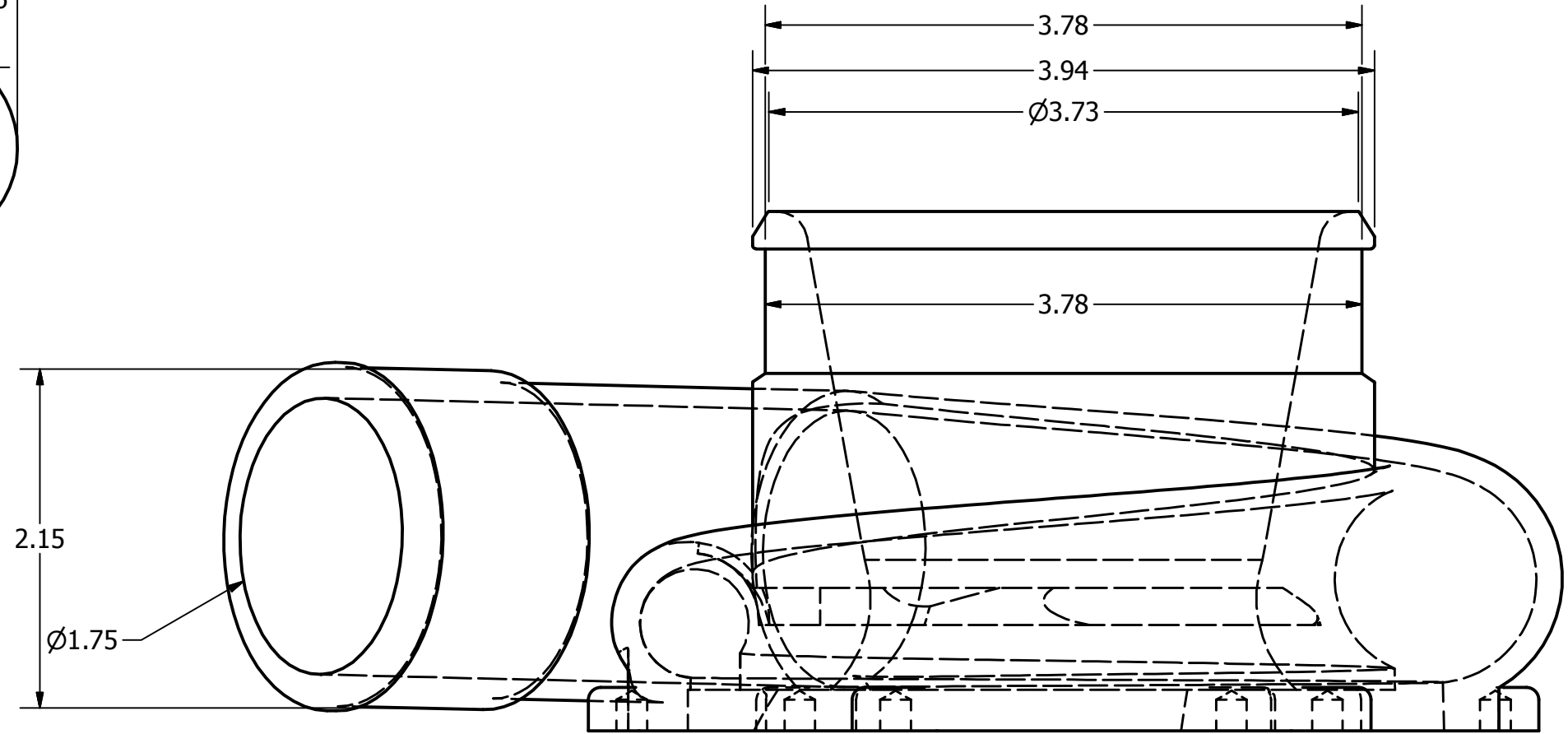
Top view



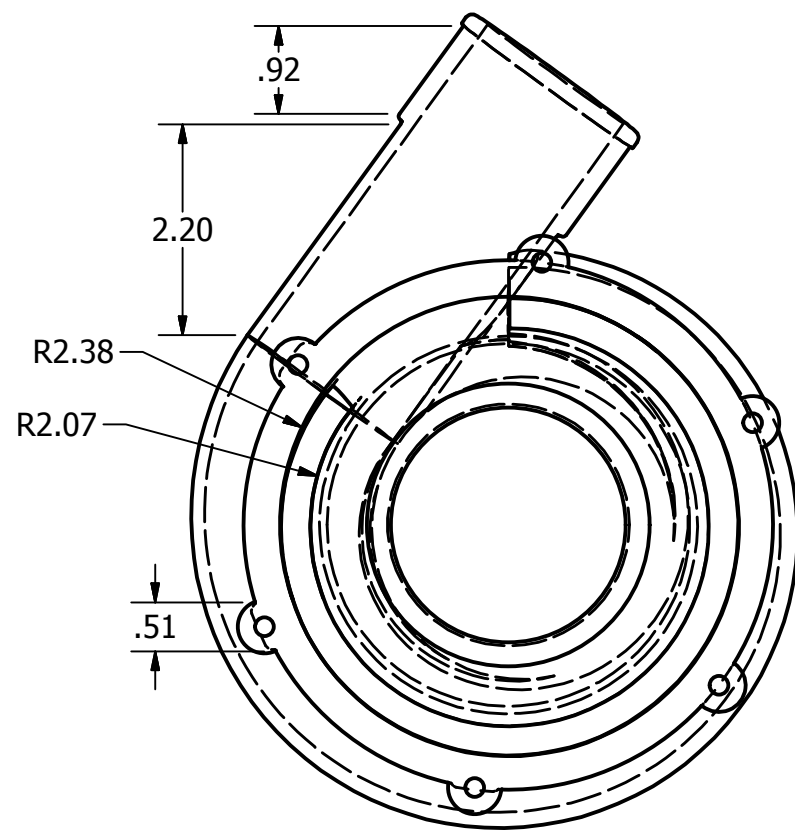
Compressor housing isometric view



Front view



Right view



Bottom view

|                          |           |              |                                      |
|--------------------------|-----------|--------------|--------------------------------------|
| DRAWN<br>Ismael Gallegos | 5/19/2016 |              |                                      |
| CHECKED                  |           | TITLE        |                                      |
| QA                       |           |              |                                      |
| MFG                      |           |              |                                      |
| APPROVED                 |           |              |                                      |
|                          |           | SIZE<br>C    | DWG NO<br>Compressor housing Drawing |
|                          |           | SCALE<br>1/2 | REV                                  |
|                          |           | SHEET 1 OF 1 |                                      |